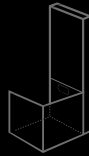


PLATFORM LIFT  
up to 1 m



PLATFORM LIFT  
up to 2 m



PLATFORM LIFT  
up to 2.99 m

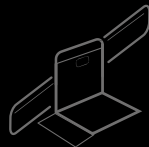


# MP ACCESSIBILITY



## MP CHAIR STAIRLIFT V59 FOR CURVED STAIRS

The MP V59 is the ideal solution for curved stairs inside or outside homes. It is easy and convenient to use, as well as elegant, discrete and silent, making it perfect for moving around with maximum safety and comfort.



PLATFORM STAIRLIFT  
for straight stairs



PLATFORM STAIRLIFT  
for curved stairs



CHAIR STAIRLIFT  
for straight stairs



CHAIR STAIRLIFT FOR CURVED STAIRS

USES

This chair stairlift, which is designed for curved stairs and custom-made, allows those with reduced mobility to get up and down stairs effortlessly. It is particularly suitable for narrow flights of stairs.

BENEFITS

ITALIAN DESIGN

Features an attractive Italian design which offers three seat colours and the possibility of painting the rails in the colour that best fits in with the surroundings.

COMFORTABLE

This solution, which features smooth start and stop as standard, does not require lubrication and is operated using an ergonomic and easy-to-use joystick or remote control.

EASY INSTALLATION REQUIRING NO MAJOR CONSTRUCTION WORK:

The seat has been designed to easily adapt to practically any stairs and the entire lift is normally installed in just a few hours without the need for any major construction work.

SIMPLE SEAT SWIVEL LEAVER



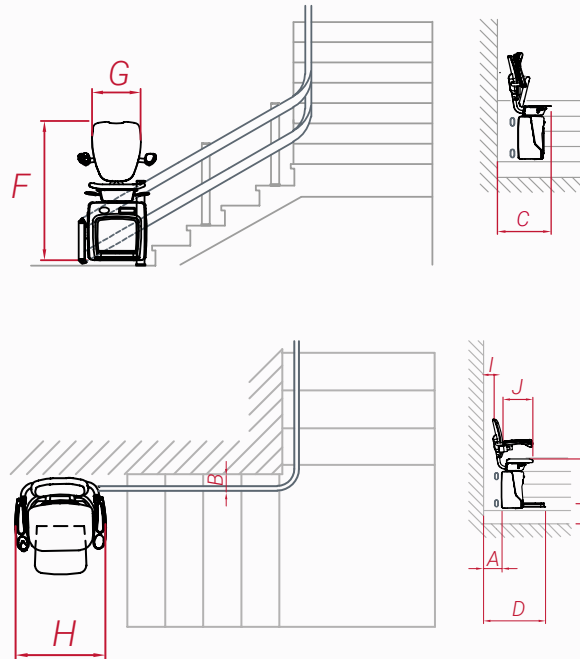
FOOTREST WITH ANTI-SLIP EDGES



REMOTE CONTROL



STANDARD MODEL



TECHNICAL INFORMATION

WEIGHT CAPACITY	130 kg approx.
SPEED	0.15 m/s
MAXIMUM TRAVEL	35 metres (6 stops)
PORWER SUPPLY	Single painted 230 V
MOTOR SIZE	0.5 kw
RAIL	Double painted tube
MOUNTING	Directly to stairs

SAFETY FEATURES

- Movement control: the lift is controlled using an ergonomic joystick, making it extremely easy to use.
- Safety sensors: located on the footrest and the carriage, these bring the stairlift to a gentle stop when obstacles are detected along the way.
- Seatbelt: easy to use and ergonomic, this is designed to help elderly passengers and retracts automatically to make their life that bit easier.
- Footrest: robust and safe, this folds up to reduce the space taken up by the lift on the stairs.
- Swivel seat: an ergonomic lever allows the passenger to swivel the seat at the bottom and top of the stairs, making getting on and off easier, more comfortable and safer.
- Infrared remote control: this solution, which does away with the need for wires, means that the stairlift can be called remotely to the bottom or top of the stairs.
- The battery is constantly charging (at the top and bottom of the stairs), meaning it can be used during power outages.

OPTIONAL

- Outdoor version
- Protective cover
- Fittings to mount the rail on the wall
- Fittings to mount the rail on the side of the staircase
- Fittings to mount the rail to the underside of the stairs
- Rail painted in non-standard colour
- Rail that moves towards the floor at the bottom of the stairs, meaning less space is needed for the chair when at the bottom

AVAILABLE VERSIONS



IVORY

RED

BROWN

STANDARD SIZE

A	WIDTH AND HEIGHT OF GUIDE RAIL	30-50 mm
B	DISTANCE FROM THE OUTER SIDE OF STAIRCASE	130 mm
C	SIZE OF THE LIFT WITH FOOTREST UP	445 mm
D	SIZE OF THE LIFT WITH FOOTREST DOWN	720 mm
E	DISTANCE BETWEEN FOOTREST AND SEAT	530 mm
F	DISTANCE BETWEEN FOOTREST AND TOP OF THE BACKREST	1080 mm
G	WIDTH OF BACKREST	380 mm
H	OUTER DISTANCE BETWEEN ARMRESTS	600 mm
I	DISTANCE BETWEEN BACKREST AND WALL	195 mm
J	DEPTH OF THE SEAT	365 mm
K	DISTANCE BETWEEN TOP OF FOOTREST AND FLOOR	90 mm

